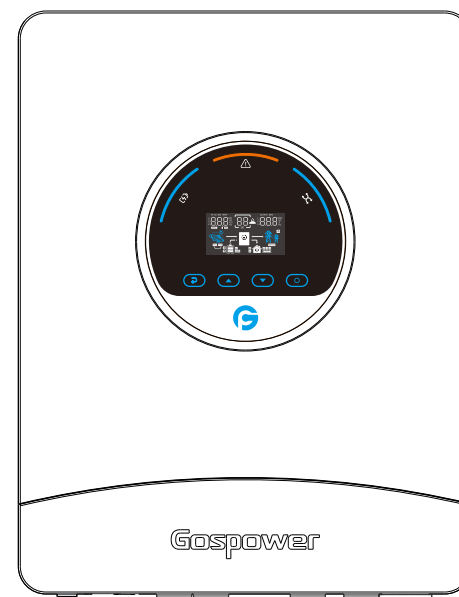


# USER GUIDE

## Solar Inverter

GPEO Series (4KVA/6KVA/12KVA)

*Solar inverter*



# Contents

- ABOUT THIS MANUAL**..... 1
  - Purpose..... 1
  - Scope ..... 1
  - Safety instructions ..... 1
- WARNING MARKS**..... 2
- INTRODUCTION**..... 3
  - Features ..... 3
  - Basic system architecture ..... 3
- PRODUCT OVERVIEW**..... 4
- SPECIFICATIONS**..... 6
- INSTALLATION**..... 9
  - Safety guidance ..... 9
  - Unpacking and inspection ..... 9
  - Preparation ..... 10
  - Mounting the unit..... 10
  - Battery connection ..... 12
  - AC input /output connection ..... 13
  - PV connection ..... 16
  - Final assembly ..... 18
  - Dry contact signal ..... 19
  - Wiring System for Inverter ..... 20
- OPERATION** ..... 21
  - Power ON/OFF..... 21
  - Operation and display panel ..... 21
  - LCD display icons ..... 22
  - LCD operation flow chart ..... 24
  - Base information Page ..... 24
  - Setting Page ..... 27
  - Energy stored data Page..... 33
  - BMS information Page..... 33
  - Rated information Page ..... 34
  - Lithium Battery Communication ..... 35
- PARALLEL INSTALLATION GUIDE** ..... 36
  - 1. Introduction..... 36
  - 2. Mounting the Unit ..... 36
  - 3. Packsge Contents ..... 37
  - 4. Wiring Connection ..... 37
  - 5. LCD Setting and Display ..... 46
  - 6. Commissioning ..... 46
- WARNING CODE TABLE**..... 48
- FAULT CODE TABLE**..... 48

## ABOUT THIS MANUAL

### Purpose

This manual describes the assembly, installation, operation, warning code and fault code of this unit. Please read this manual carefully before installations and operations. Keep this manual for future reference.

### Scope

This manual provides safety and installation guidelines as well as information on tools and wiring.

### Safety instructions











**WARNING:** This chapter contains important safety and operating instructions. Read and keep this manual for future reference.

1. Before using the unit, read all instructions and cautionary markings on the unit, the batteries and all appropriate sections of this manual.
2. **CAUTION** --To reduce risk of injury, charge only deep-cycle lead acid type rechargeable batteries. Other types of batteries may burst, causing personal injury and damage.
3. Do not disassemble the unit. Take it to a qualified service center when service or repair is required. Incorrect re-assembly may result in a risk of electric shock or fire.
4. To reduce risk of electric shock, disconnect all wirings before attempting any maintenance or cleaning. Turning off the unit will not reduce this risk.
5. **CAUTION** – Only qualified personnel can install this device with battery.
6. **NEVER** charge a frozen battery.
7. For optimum operation of this inverter/charger, please follow required spec to select appropriate cable size. It's very important to correctly operate this inverter/charger.
8. Be very cautious when working with metal tools on or around batteries. A potential risk exists to drop a tool to spark or short circuit batteries or other electrical parts and could cause an explosion.
9. Please strictly follow installation procedure when you want to disconnect AC or DC terminals. Please refer to INSTALLATION section of this manual for the details.
10. Fuse is provided as over-current protection for the battery supply.
11. **GROUNDING INSTRUCTIONS** -This inverter/charger should be connected to a permanent grounded wiring system. Be sure to comply with local requirements and regulation to install this inverter.
12. **NEVER** cause AC output and DC input short circuited. Do NOT connect to the mains when DC input short circuits.
13. **Warning!!** Only qualified service persons are able to service this device. If errors still persist after following troubleshooting table, please send this inverter/charger back to local dealer or service center for maintenance.

### WARNING MARKS

Warning marks inform users of conditions which can cause serious physical injury or death, or damage to the device. They also tell users how to prevent the dangers. The warning marks used in this operation manual are shown below:

Mark	Name	Instruction	Abbreviation
 Danger	Danger	Serious physical injury or even death may occur if not follow relevant requirements.	
 Warning	Warning	Physical injury or damage to the device may occur if not follow relevant requirements.	
 Forbid	Electrostatic sensitive	Damage may occur if relevant requirements are not followed.	
 Hot	High temperature	Do not touch the base of the inverter as it will become hot.	
Note	Note	The procedures taken for ensuring proper operation.	Note

### INTRODUCTION

This is a multi-function inverter/charger, combining functions of inverter, MPPT solar charger and battery charger to offer uninterruptible power support with portable size. Its comprehensive LCD display offers user-configurable and easy-accessible button operation such as battery charging current, AC/solar charger priority, and acceptable input voltage based on different applications.

### Features

- Pure sine wave inverter
- Built-in MPPT solar charge controller
- Configurable input voltage range for home appliances and personal computers via LCD setting
- Configurable battery charging current based on applications via LCD setting
- Configurable AC/Solar Charger priority via LCD setting
- Compatible to mains voltage or generator power
- Auto restart while AC is recovering
- Overload / Over temperature/ short circuit protection
- Inverter running without battery
- Lithium battery activation function
- Cold start function
- Parallel connection quantity up to 12 units for 6KVA and 12KVA model (Battery must be connected)
- Intelligent fan control greatly reduces fan noise

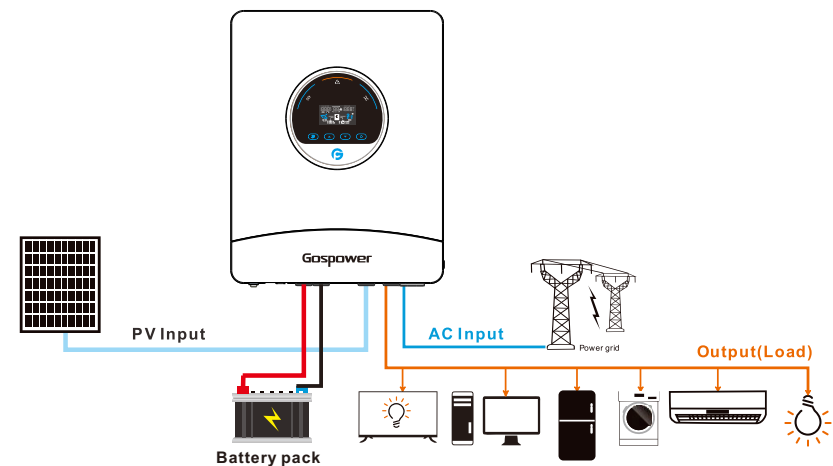
### Basic System Architecture

The following illustration shows basic application for this inverter/charger. It also includes following devices to have a complete running system:

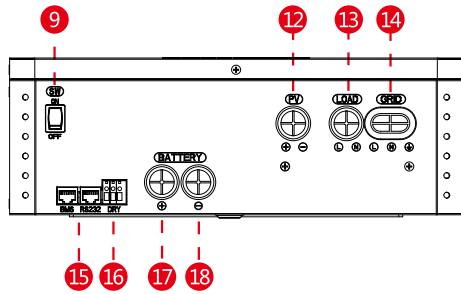
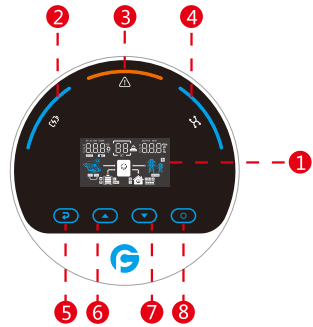
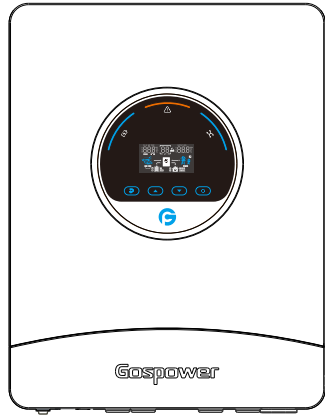
- Generator or Utility
- PV modules (option)

Consult with your system integrator for other possible system architectures depending on your requirements.

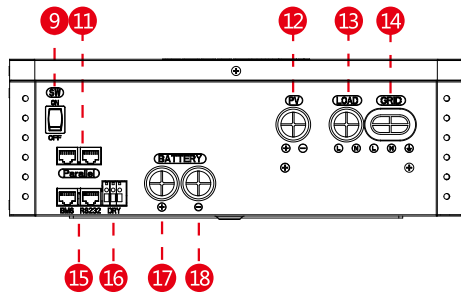
This inverter can power all kinds of appliances in home or office environment, including motor-type appliances such as tube light, fan, refrigerator and air conditioner.



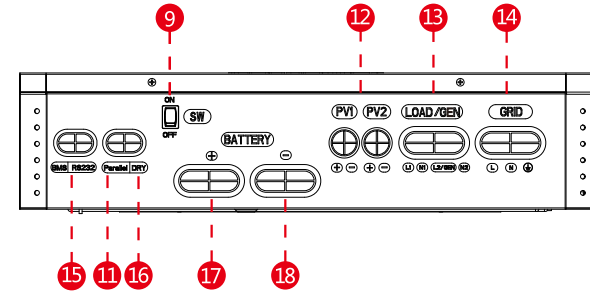
PRODUCT OVERVIEW



GPEO-4KL1



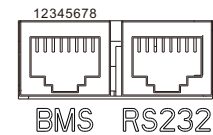
GPEO-6KL1



GPEO-12KL1

- 1. LCD display
- 2. Charging indicator
- 3. Fault or warning indicator
- 4. Utility bypass/Inverter indicator
- 5. ESC button
- 6. UP button
- 7. Down button
- 8. Enter button
- 9. Switch
- 11.Parallel connection-CAN port
- 12.PV input connection port
- 13.AC output/Generator port
- 14.AC input port
- 15.Communication connection port\*
- 16.Dry contact port
- 17.Battery+ connection port
- 18.Battery- connection port

15 Definition of BMS communication port pin



NO.	BMS	RS-232
1		RS232-TXD
2		RS232-RXD
3		VDD
4		VSS
5	NC	
6	VSS	
7	RS485-A	
8	RS485-B	VSS

## SPECIFICATIONS

Line Mode Specifications			
Model	GPEO-4KL1	GPEO-6KL1	GPEO-12KL1
Rated Output Power	4000VA	6000VA	12000VA
	4000W	6000W	12000W
Nominal DC Input Voltage	24V	48V	48V
Input Voltage Waveform	Sinusoidal (utility or generator)		
Nominal Input Voltage	230Vac		
Low Line Voltage Disconnect	90Vac±3V(For Home Appliances)170Vac±3V(For Computers)		
Low Loss Voltage Re-connect	100Vac±3V (For Home Appliances)180Vac±3V (For Computers)		
High Line Voltage Disconnect	280Vac±3V		
High Line Voltage Re-connect	270Vac±3V		
Max AC Input Voltage	280Vac±3V		
Nominal Input Frequency	50Hz / 60Hz (Auto detection)		
Low Line Frequency Disconnect	40±1Hz		
Low Line Frequency Re-connect	42±1Hz		
High Line Frequency Disconnect	65±1Hz		
High Line Frequency Re-connect	63±1Hz		
Output Voltage Waveform	As same as input waveform		
Output Short Circuit Protection	Line mode: Circuit Breaker Battery mode: Electronic Circuits		
Efficiency (Line Mode)	>95% (Rated R load, battery full charged)		
Transfer Time (Single unit)	10ms typical (UPS); 20ms typical (Appliances)		
Transfer Time (Parallel)	50ms typical		
Pass Through Without Battery	Yes		
Max. Bypass Overload Current	28A	40A	70A
Max. Bypass Input Current	28A	50A	90A
Max. Inverter/Rectifier Current	18.2A/4000W	27.3A/6000W	54.5A/12000W

Utility Charge Mode Specifications			
Model	GPEO-4KL1	GPEO-6KL1	GPEO-12KL1
Nominal Input Voltage	230Vac		
Input Voltage Range	90-280Vac		
Nominal Output Voltage	Dependent on battery type		
Max. Grid Charge Current	100A	120A	210A
Charge Current Regulation	10A-Max. Grid Charge Current (Adjustable unit is 1A)		
Over Charge Protection	Yes		
Grid Charging Current (I.max/I.min)	100A/25A	120A/30A	210A/50A
Relationship between battery charging current and grid voltage.			
Solar Charging & Grid Charging			
Max. PV Open Circuit Voltage	500V		
PV voltage range	85V-450V		
Max. Input Power	4000W	6000W	12000W
Max. Solar Charging Current	120A	120A	210A
Max. Charging Current(PV+Grid)	120A	120A	210A
Max. Input Current	15A	27A	27A+27A
Min. Startup Voltage	80V	75V	75V
Charge Algorithm			
Algorithm	Three stage: Boost CC (Constant current stage) -> Boost CV (Constant voltage stage) -> Float FV (Constant voltage stage)		
Charging Curve			
Battery Type Setting	Battery Type	Boost CC/CV	Float
	AGM	28.2V/56.4V	27V/54V
	Flooded	29.2V/58.4V	27V/54V
	Self - defined	Adjustable, up to 30V/60V	
	Lithium	Adjustable, up to 30V/60V	

Inverter Mode Specifications			
Model	GPEO-4KL1	GPEO-6KL1	GPEO-12KL1
Rated Output Power	4000VA	6000VA	12000VA
	4000W	6000W	12000W
Nominal DC Input Voltage	24V	48V	48V
DC Max. Charging/Discharging Current	120A/160A	120A/125A	210A/230A
Output Voltage Waveform	Pure sine wave		
Nominal Output Voltage	230Vac±5%		
Nominal Output Frequency (Hz)	50±0.3Hz/60±0.3Hz(Adjustable)		
Parallel capability	No	Yes, up to 12 units	
Peak Efficiency	93%		
Over-Load Protection (SMPS load)	5s@≥150%load;10s@105%~150%load		
Surge Rating	2* rated power for 5s		
Capable of Starting Electric	Yes		
Output Short Circuit Protection	Yes		
Cold Start Voltage	23V	46V	
Low DC Input Shut-down Load < 50% / @Load ≥ 50%	21.5V/21V	43V/42V	
High DC Input Alarm & Fault	31V±0.2V	62V±0.4V	
High DC Input Recovery	29V±0.2V	60V±0.4V	
Battery Voltage Limitation (V.bat0/V.bat1/V.bat2)	21V/27.2V/31V	42V/50V/62V	
	<p>When battery voltage is lower than "V.bat1", output power will be derated. The minimum AC output voltage is 180V.</p>		
Temperature Limitation (Td)	40℃	45℃	45℃
	<p>When ambient temperature is higher than 40℃/45℃, output power will be derated. The minimum AC output voltage is 180V.</p>		
General Specifications			
Operating Temperature	-10℃~55℃		
Range Storage Temperature	-15℃~60℃		
Net Weight(kg)	9.2kg	13kg	27kg
Gross Weight(kg)	11.4kg	15kg	30kg
Product Size(D*W*H)	347x445x120mm		525x630x125mm
Package Dimension(D*W*H)	560x465x240mm		715x620x210mm

## INSTALLATION

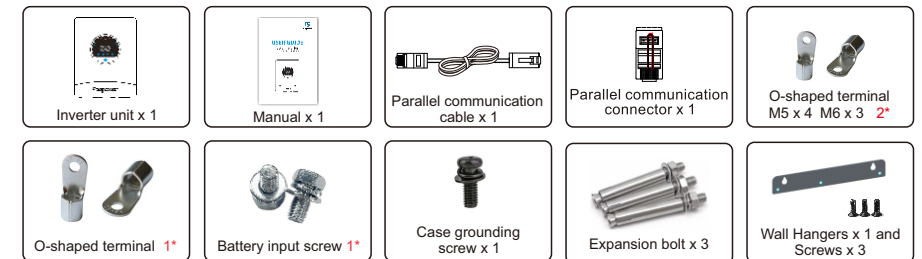
### Safety Guidance

Warning marks inform users of conditions which can cause serious physical injury or death, or damage to the device. They also tell users how to prevent the dangers. The warning marks used in this operation manual are shown below:

	<ul style="list-style-type: none"> <li>After receiving this product, first confirm the product package is intact. If any question, contact the logistic company or local distributor immediately.</li> <li>The installation and operation of inverter must be carried out by professional technicians who have received professional trainings and thoroughly familiar with all the contents in this manual and the safety requirements of the electrical system.</li> </ul>
	<ul style="list-style-type: none"> <li>Do not carry out connection/disconnection, unpacking inspection and unit replacement operations on the inverter when power source is applied. Before wiring and inspection, users must confirm the breakers on DC and AC side of inverter are disconnected and wait for at least 5 minutes.</li> </ul>
	<ul style="list-style-type: none"> <li>Ensure there is no strong electromagnetic interference caused by other electronic or electrical devices around the installation site.</li> <li>Do not refit the inverter unless authorized.</li> <li>All the electrical installation must conform to local and national electrical standards</li> </ul>
	<ul style="list-style-type: none"> <li>Do not touch the housing of the inverter or the radiator to avoid scald as they may become hot during operation.</li> </ul>
	<ul style="list-style-type: none"> <li>Ground with proper technics before operation.</li> </ul>
	<ul style="list-style-type: none"> <li>Do not open the surface cover of the inverter unless authorized. The electronic components inside the inverter are electrostatic sensitive. Do take proper anti-electrostatic measures during authorized operation.</li> </ul>
	<ul style="list-style-type: none"> <li>The inverter needs to be reliably grounded.</li> </ul>
	<ul style="list-style-type: none"> <li>Ensure that DC and AC side circuit breakers have been disconnected and wait at least 5 minutes before wiring and checking.</li> </ul>

### Unpacking and Inspection

Before installation, please inspect the unit. Be sure that nothing inside the package is damaged. You should have received the following items inside of package:

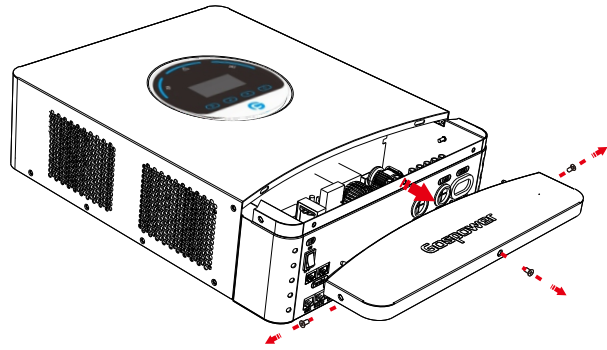


1\* : 2pcs for 4KVA/6KVA, 4pcs for 12KVA

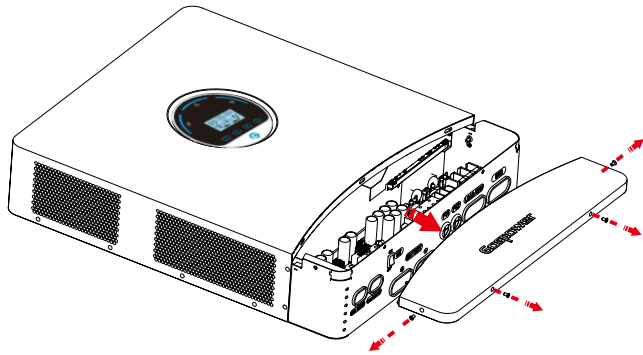
2\* : Only for 12KVA

## Preparation

Before connecting all wirings, please take off bottom cover by removing three or four screws as shown below.



(For GPEO-4KL1/GPEO-6KL1)

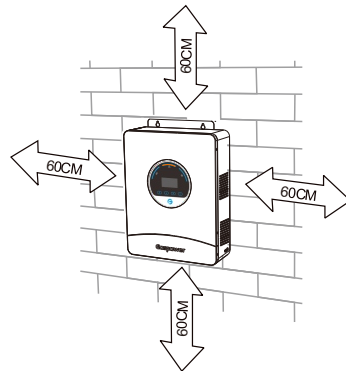


(For GPEO-12KL1)

## Mounting the Unit

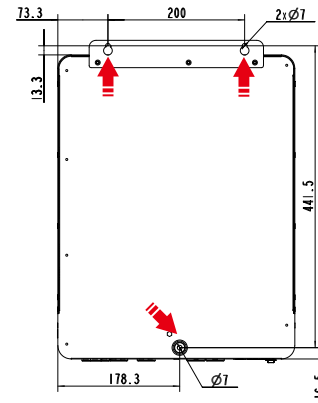
Consider the following points before selecting where to install:

- Do not mount the inverter on flammable construction materials
- Mount on a solid surface
- Install this inverter at eye level in order to allow the LCD display to be read at all times
- The ambient temperature should be between  $-10^{\circ}\text{C}$  and  $55^{\circ}\text{C}$  to ensure optimal operation
- The recommended installation position is to be adhered to the wall vertically
- Be sure to keep other objects and surfaces as shown in the right diagram to guarantee sufficient heat dissipation and to have enough space for removing wires

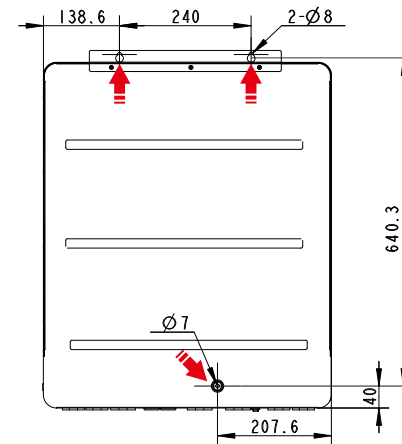
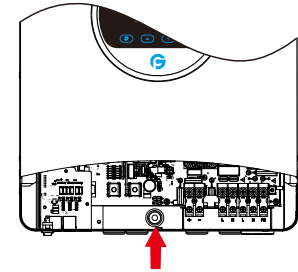


**SUITABLE FOR MOUNTING ON CONCRETE OR OTHER NON-COMBUSTIBLE SURFACE ONLY.**

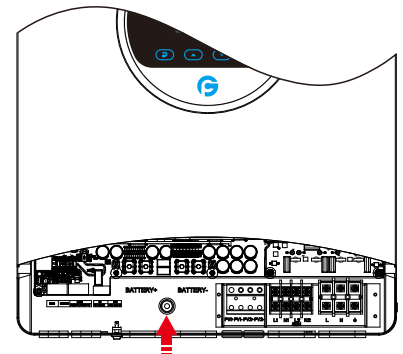
Install the unit by screwing three screws. It's recommended to use M4 screws.



(For GPEO-4KL1/GPEO-6KL1)



(For GPEO-12KL1)



## Battery Connection

**CAUTION:** For safety operation and regulation compliance, it's requested to install a separate DC over-current protector or disconnect device between battery and inverter. It may not be requested to have a disconnect device in some applications, however, it's still requested to have over-current protection installed. Please refer to typical amperage in below table as required fuse or breaker size.

**WARNING!** All wiring must be performed by a qualified personnel.

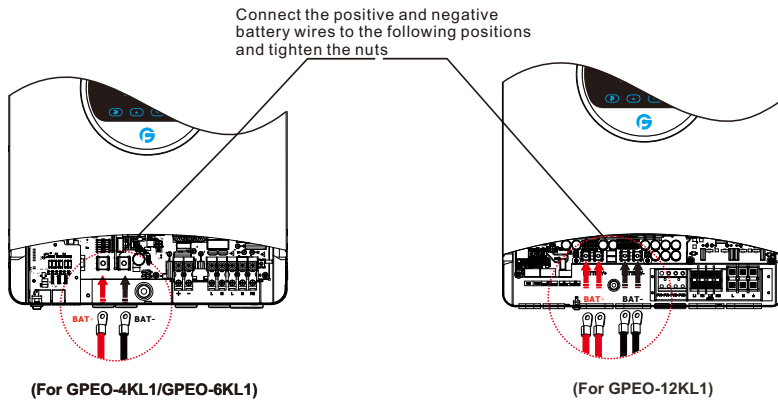
**WARNING!** It's very important for system safety and efficient operation to use appropriate cable for battery connection. To reduce risk of injury, please use the proper recommended cable and terminal size as below.

**Recommended battery cable and terminal size:**

Model	Wire Size	Cable (mm <sup>2</sup> )	Torque Value(Max)
4KVA	1*1AWG	50	2 Nm
6KVA	1*2AWG	35	2 Nm
12KVA	2*2AWG	35	2 Nm

**Please follow below steps to implement battery connection:**

1. Assemble battery ring terminal based on recommended battery cable and terminal size.
2. Connect all battery packs as units requires. It's suggested to connect at least 200Ah capacity battery.
3. Insert the ring terminal of battery cable flatly into battery connector of inverter and make sure the bolts are tightened with torque of 2 Nm. Make sure polarity at both the battery and the inverter/charge is correctly connected and ring terminals are tightly screwed to the battery terminals.



**WARNING: Shock Hazard**  
Installation must be performed with care due to high battery voltage in series.

**CAUTION!!** Do not place anything between the flat part of the inverter terminal and the ring terminal. Otherwise, overheating may occur.  
**CAUTION!!** Do not apply anti-oxidant substance on the terminals before terminals are connected tightly.  
**CAUTION!!** Before making the final DC connection or closing DC breaker/disconnector, be sure positive (+) must be connected to positive (+) and negative (-) must be connected to negative (-).

## AC Input/Output Connection

**CAUTION!!** Before connecting to AC input power source, please install a separate AC breaker between inverter and AC input power source. This will ensure the inverter can be securely disconnected during maintenance and fully protected from over current of AC input. The recommended spec of AC breaker is 28A for 4kVA/ 50A for 6kVA/100A for 12kVA.

**CAUTION!!** There are two terminal blocks with "IN" and "OUT" markings. Please do NOT mis-connect input and output connectors.

**WARNING!** All wiring must be performed by qualified personnel.

**WARNING!** It's very important for system safety and efficient operation to use appropriate cable for AC input connection. To reduce risk of injury, please use the proper recommended cable size as below.

**Suggested cable requirement for AC wires**

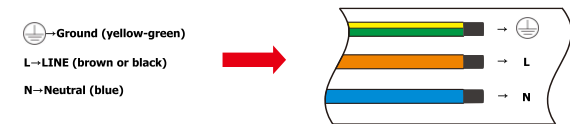
Model	Gauge	Cable (mm <sup>2</sup> )	Torque Value
4KVA	10AWG	6	1.2Nm
6KVA	8AWG	10	1.4~1.6Nm
12KVA	6AWG	10	1.4~1.6Nm

**Recommended circuit breaker type for AC input:**

Models	Maximum bypass	Recommended circuit breaker
4KVA	28A	2P-32A
6KVA	50A	2P-50A
12KVA	90A	2P-100A

**Please follow below steps to implement AC input/output connection:**

1. Before making AC input/output connection, be sure to open DC protector or disconnecter first.
2. Remove insulation sleeve 10mm for six conductors. And pressing ring terminal.



(For GPEO-4KL1/GPEO-6KL1)

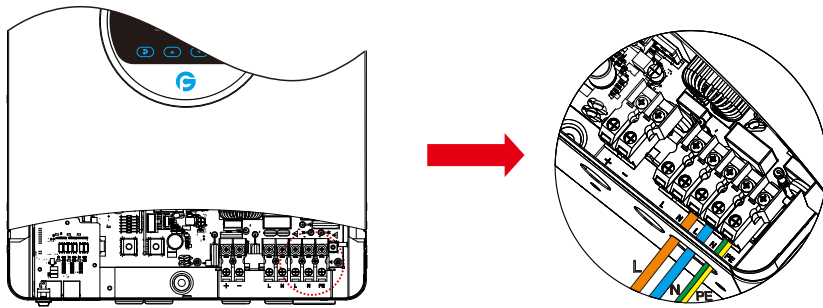


(For GPEO-12KL1)

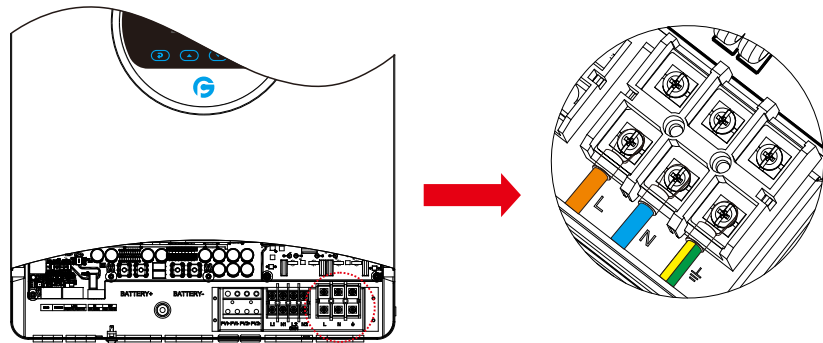
3\* : ring terminal(M5 for AC output wires, M6 for AC input wires)



3. Insert AC input wires according to polarities indicated on terminal block and tighten the terminal screws. Be sure to connect PE protective conductor (⊕) first.



(For GPEO-4KL1/GPEO-6KL1)

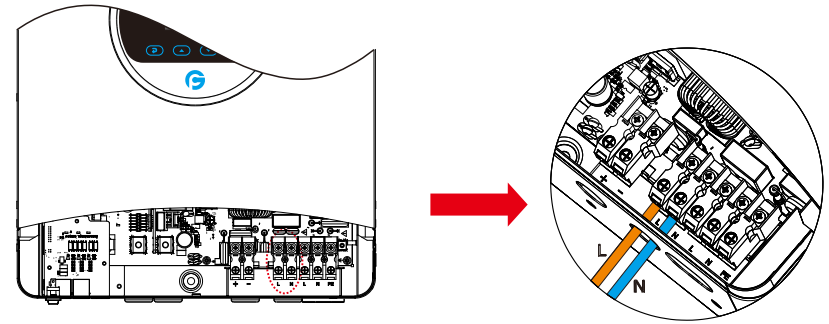


(For GPEO-12KL1)

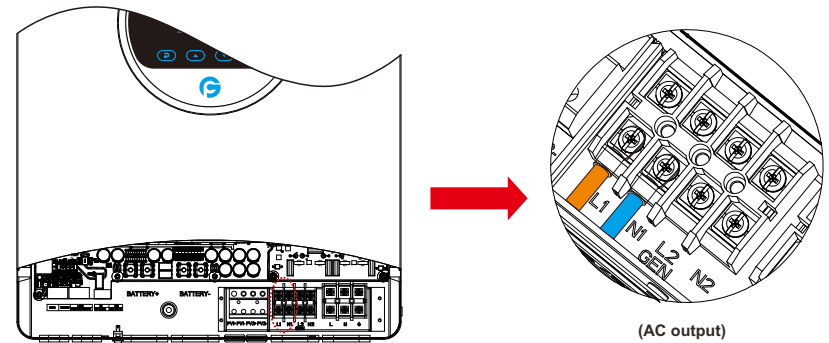
**WARNING:** Be sure that AC power source is disconnected before attempting to hardwire it to the unit.

4. Then, insert AC output/Generator input wires according to polarities indicated on terminal block and tighten terminal screws. Be sure to connect PE protective conductor (⊕) first.

(Generator input function only For GPEO-12KL1)

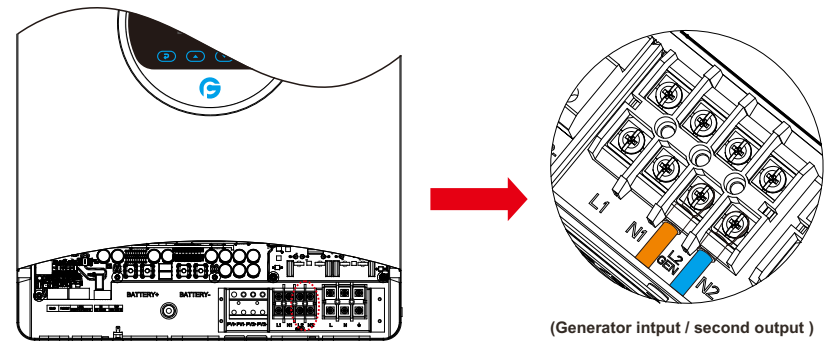


(For GPEO-4KL1/GPEO-6KL1)



(AC output)

(For GPEO-12KL1)



(Generator input / second output )

(For GPEO-12KL1)

5. Make sure the wires are securely connected.

**CAUTION: Important**

Be sure to connect AC wires with correct polarity. If L and N wires are connected reversely, it may cause utility short-circuited when these inverters are worked in parallel operation.

**CAUTION:** Appliances such as air conditioner are required at least 2~3 minutes to restart because it's required to have enough time to balance refrigerant gas inside of circuits. If a power shortage occurs and recovers in a short time, it will cause damage to your connected appliances. To prevent this kind of damage, please check manufacturer of air conditioner if it's equipped with time-delay function before installation. Otherwise, this inverter/charger will trig overload fault and cut off output to protect your appliance but sometimes it still causes internal damage to the air conditioner.

## PV Connection



**CAUTION:** Before connecting to PV modules, please install separately a DC circuit breaker between inverter and PV modules.

**WARNING!** All wiring must be performed by qualified personnel.

**WARNING!** It's very important for system safety and efficient operation to use appropriate cable for PV module connection. To reduce risk of injury, please use the proper recommended cable size as below.

Model	Cable Size	Cable (mm <sup>2</sup> )	Torque
4KVA/6KVA/12KVA	10 AWG	6	1. 2Nm

PV Module Selection:

When selecting proper PV modules, please be sure to consider below parameters:

1. Open circuit Voltage (Voc) of PV modules not exceeds max. PV array open circuit voltage of inverter.
2. Max. power voltage (Vmp) should be during PV array MPPT voltage range.

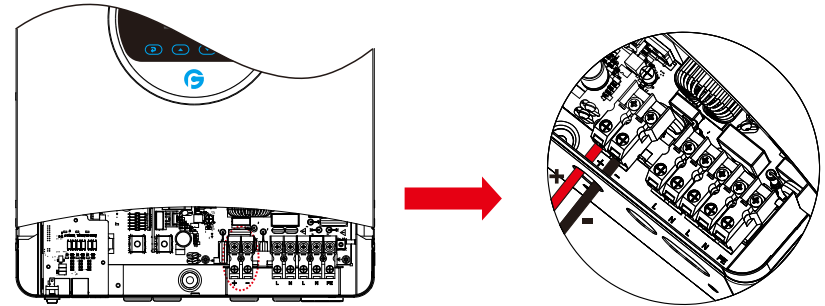
Solar Charging Mode	
<b>INVERTER MODEL</b>	4KVA/6KVA/12KVA
<b>Max. PV Array Open Circuit Voltage</b>	500V
<b>PV Array MPPT Voltage Range</b>	85Vdc~450Vdc

Please follow below steps to implement PV module connection:

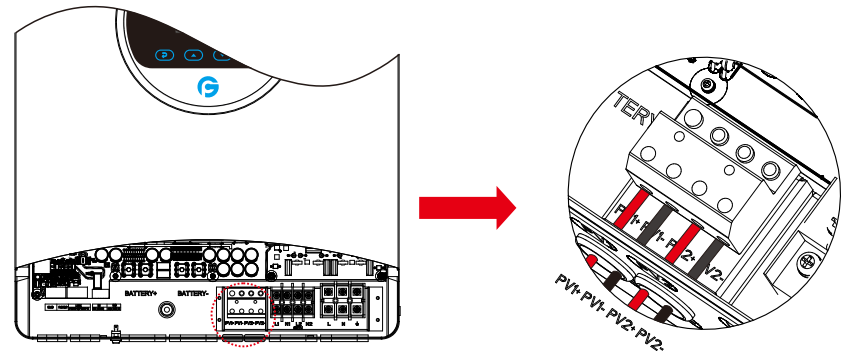
1. Remove insulation sleeve 10 mm for positive and negative conductors.



2. Check correct polarity of connection cable from PV modules and PV input connectors. Then, connect positive pole (+) of connection cable to positive pole (+) of PV input connector. Connect negative pole (-) of connection cable to negative pole (-) of PV input connector.



(For GPEO-4KL1/GPEO-6KL1)

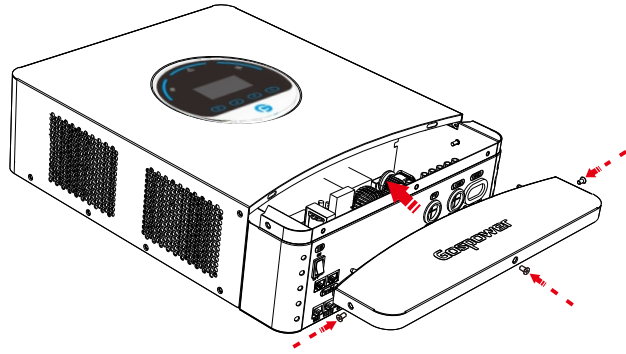


(For GPEO-12KL1)

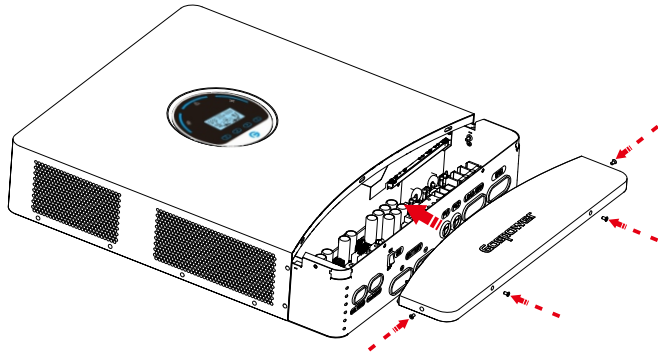
3. Make sure the wires are securely connected.

## Final Assembly

After connecting all wirings, please put bottom cover back by screwing three or four screws as shown below.



(For GPEO-4KL1/GPEO-6KL1)



(For GPEO-12KL1)

## Dry Contact Signal

There is one dry contact (3A/250VAC) available on the inverter.

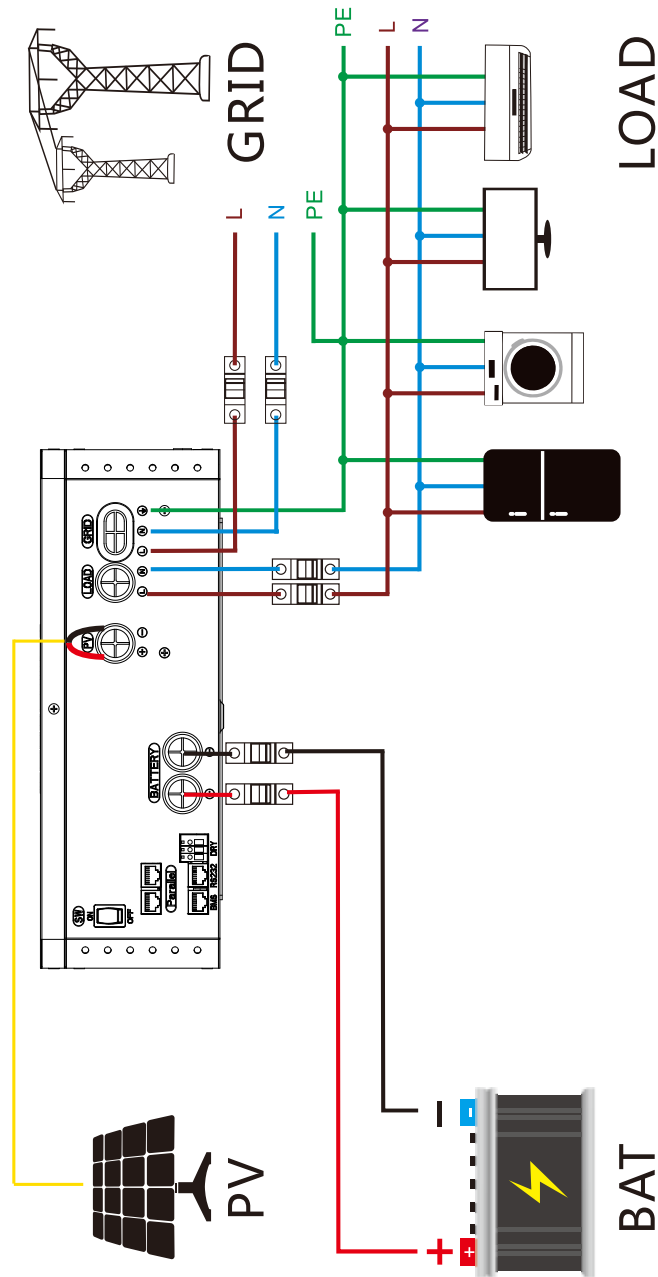
Unit Status	Condition	Dry contact port:	
		NO & C	NC & C
Power Off	Unit is off and no output is powered.	Open	Close
Power On	Battery voltage < Setting value in Program 06	Close	Open
	Battery voltage > Setting value in Program 07 or battery charging reaches floating stage	Open	Close

(For GPEO-4KL1/GPEO-6KL1)

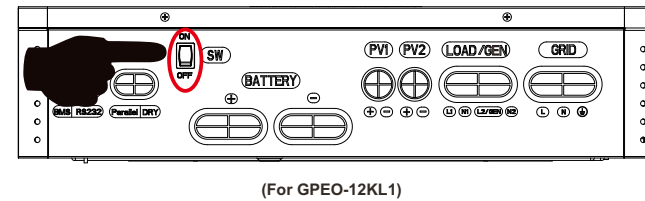
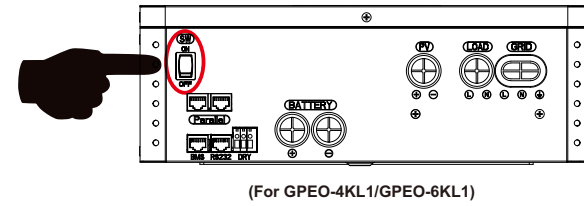
Unit Status	Condition	Dry contact port:	
		NO & C	NC & C
Power Off	Unit is off and no output is powered.	Open	Close
Power On	Battery voltage < Setting value in Program 06	Close	Open
	Battery voltage > Setting value in Program 07 or battery charging reaches floating stage	Open	Close

(For GPEO-12KL1)

### Wiring System for Inverter



### OPERATION Power ON/OFF



Once the unit has been properly installed and the batteries are connected well, simply press On/Off switch (located on the bottom of the case) to turn on the unit.

### Operation and Display Panel

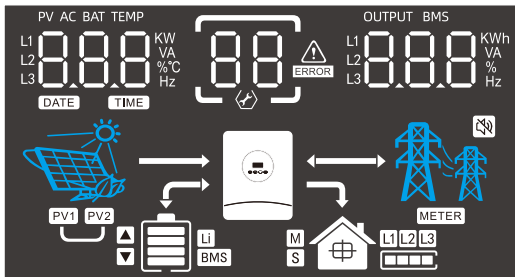
The operation and display panel, shown in below chart, is on the front panel of the inverter. It includes three indicators, four function keys and a LCD display, indicating the operating status and input/output power information.



Function Key	Icon	Description
ESC		To previous page
UP		To go to previous selection
DOWN		To go to next selection
ENTER		To confirm the selection or go to next page

LED Indicator	Icon	Description
Battery		Charging the battery, the LED light flash. If battery is full, the LED light will always-on. The battery is not charged, the LED light will go out.
Utility		Inverter running in utility mode, the LED will always-on.
Inverter		Inverter running in off-grid mode, the LED light will flash. Inverter is not running in off-grid mode, the LED light will go out.
Fault		If inverter in fault event, the LED light will always-on. If inverter in warning event, the LED light will flash. Inverter work normally, the LED light will go out.
Buzzer Information		
Buzzer beep	Press any button, the buzzer will last for 0.1s. Hold on the "ENTER" button, the buzzer will last for 3s. If in fault event, the buzzer will keep going. If in warning event, the buzzer will beep discontinuous (Check more information on the chapter of "Warning Code Table").	

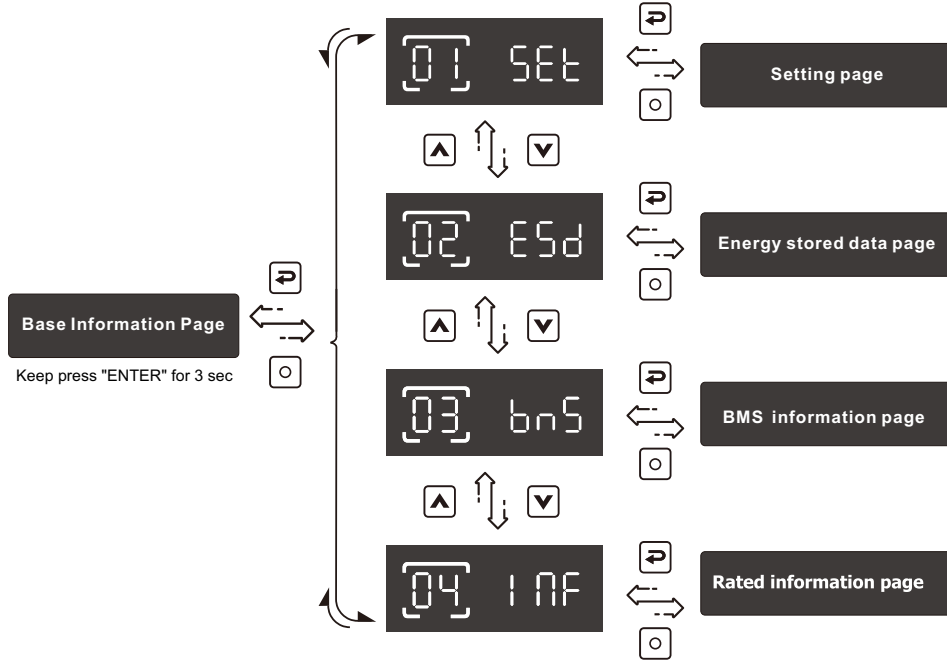
## LCD Display Icons



Icon	Function description
Input Source Information	
	Indicate input voltage, input frequency, PV voltage, PV power, battery voltage and charger current.
Configuration Program and Fault Information	
	Indicates the setting programs.
	Indicates the warning and fault codes. Warning:  flashing with warning code. Fault:  lighting with fault code

Output Information	
	Indicate output voltage, output frequency, load percent, load in VA, load in Watt and discharging current.
Battery Information	
	Indicates battery level by 0-24%, 25-49%, 50-74% and 75-100%.
	Indicates Lithium battery type.
	<b>BMS</b> Indicates communication is built between inverter and BMS. Indicates BMS allows battery discharge. Indicates BMS allows battery charge. Force charge occurs if icon flash.
Mode Operation Information	
	Indicates load is supplied by utility directly.
	Indicates the utility charger circuit is working.
	Indicates the inverter/charger is working.
	Indicates PV MPPT is working to power load.
	Indicates PV MPPT is working to charge battery.
	Indicates battery is discharging to load.
Mute Operation	
	Indicates unit alarm is disabled.

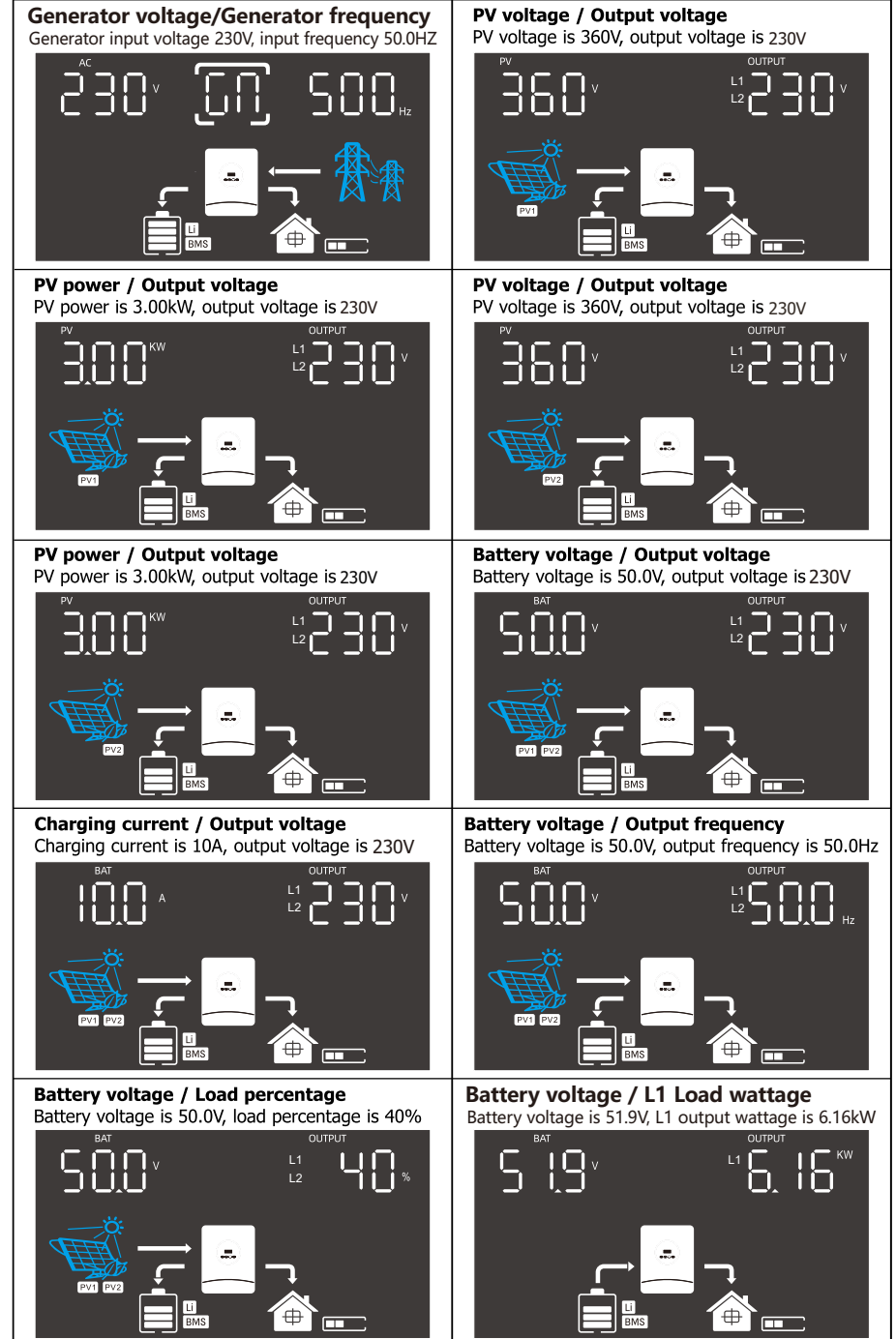
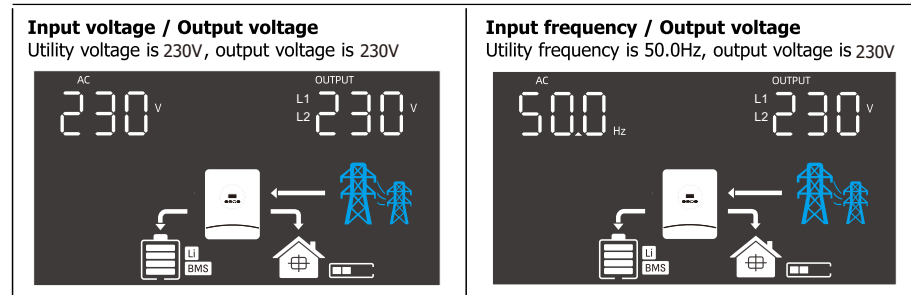
## LCD operation flow chart



On base information page, pressing and holding "ENTER" key for 3 sec, the unit will enter parameters page. Press "UP" or "DOWN" key to switch the selection and press "ENTER" key to enter selected page. Press "ESC" key to back to previous page.

## Base information Page

- The base information will be switched by pressing "Up" or "DOWN" key. The selectable information is switched as below order: (Take the 48V model for example).
- The 2nd AC output is enabled in program 64, the "L1" or "L2" icon on the LCD will be showed, only show "L1" represent to main AC output data, only show "L2" represent to 2nd AC output data. show "L1" and "L2" represent to all AC output data ("L1" + "L2").



<p><b>Battery voltage / L2 Load wattage</b> Battery voltage is 51.9V, L2 output wattage is 6.10kW</p>	<p><b>Battery voltage / Load VA</b> Battery voltage is 50.0V, output wattage is 2.00kVA</p>
<p><b>Battery voltage / Load wattage</b> Battery voltage is 50.0V, output wattage is 2.00kW</p>	<p><b>Battery voltage / Discharging current</b> Battery voltage is 50.0V, discharging current is 80A</p>
<p>Date 2023-06-01</p>	<p>Time 10:30:25</p>

**NOTE:**

- Pages 5 and 6 of the basic information page are exclusive to GPE0-12KL1;
- "The small ICONS of the PV1 and PV2 are exclusive to the GPE0-12KL1;
- The three pages of the basic information page are unique to the GPE0-12KL1, and are only displayed when the generator input is enabled in the Settings item 64;
- Pages 12 and 13 of the basic page information are exclusive to GPE0-12KL1, and are only displayed when the second output is enabled in the 64th setting.

## Setting Page

Press "UP" or "DOWN" button to select setting programs. And then, press "ENTER" button to confirm the selection or ESC button to exit. **Keep pressing UP or DOWN button after 1.5 seconds, it will increase or decrease setting value fastly.**

**Setting items:**

		Selectable option		
00	Exit setting		ESC	
01	Battery type setting	AGM bAt	Default AGM	If "Self-defined" or "Lib" is selected, battery charge voltage and low DC cut-off voltage can be set up in program 03,04 and05. If "Lib" is selected, inverter can charge Lithium battery when the Lithium battery need to be activated. Please make sure Lithium battery is connected before you start up inverter. If inverter doesn't connect battery or Lithium battery, do not select "Lib" battery type.
		Flooded bAt	FLD	
		self-defined bAt	USE	
		Lib bAt	LIB	
02	BMS Type	bns	Default 1	The default is the PYLONTECH protocol. If the battery type is customized or lithium battery, select the protocol based on the actual battery pack.
		bns	BMS 0	If selected, the protocol is the Gospower. If the battery type is customized or lithium battery, select the protocol based on the actual battery pack.
03	Bulk charging voltage setting (C.V voltage)	24V model [U	Default 28.2V	If "self-defined" or "Lib" is selected in program01,this program is enabled. Setting range is from 24.0V to 30.0V
		48V model [U	Default 56.4V	If "self-defined" or "Lib" is selected in program01,this program is enabled. Setting range is from 48.0V to 60.0V.
04	Floating charging voltage	24V model FLU	Default 27.0V	If "self-defined" or "Lib" is selected in program01,this program is enabled. Setting range is from 24.0V to 30.0V.
		48V model FLU	Default 54.0V	If "self-defined" or "Lib" is selected in program01,this program is enabled. Setting range is from 48.0V to 60.0V.
05	Low DC cut-off voltage or SOC	24V model bcU	Default 21.0V	If "self-defined" or "Lib" is selected in program01,this program is enabled. Setting range is from 21.0V to 24.0V.
		48V model bcU	Default 42.0V	If "self-defined" or "Lib" is selected in program01,this program is enabled. Setting range is from 42.0V to 48.0V
		bcU	Default 10%	If the battery type is lithium battery, the set value will change to SOC Setting range is from 0% to 90%.

06	Setting battery voltage or SOC point back to utility when selecting "SBU priority" in program 24	24V model 6U <sup>U</sup> 06	Default 230 <sup>v</sup>	Setting range is from 22.0V to 27.0V Increment of each click is 0.1V.
		48V model 6U <sup>U</sup> 06	Default 460 <sup>v</sup>	Setting range is from 44.0V to 54.0V. Increment of each click is 0.1V.
		6U <sup>U</sup> 06	Default 20 %	If the battery type is lithium battery, the set value will change to SOC Setting range is from 5% to 95%.
07	Setting battery voltage point back to battery mode when selecting "SBU priority" in program 24	24V model 6b <sup>U</sup> 07	Default 270 <sup>v</sup>	Setting range is from 24.0V to 30.0V Increment of each click is 0.1V.
		48V model 6b <sup>U</sup> 07	Default 540 <sup>v</sup>	Setting range is from 48.0V to 60.0V. Increment of each click is 0.1V.
		Fully charged 6b <sup>U</sup> 07	FUL	Battery should be charged to float charging stage.
		6b <sup>U</sup> 07	Default 70 %	If the battery type is lithium battery, the set value will change to SOC. Setting range is from 10% to 100%.
09	Max charging current (Utility charge current + PV charging current)	60A 6CC 09	Default 60 <sup>A</sup>	Setting range is from 1A to 120A/120A/210A. Increment of each click is 1A.
10	Max utility charging current setting	30A CHC 10	Default 30 <sup>A</sup>	Setting range is from 1A to 100A/120A/210A. Increment of each click is 1A.
20	AC output mode	Single PAL 20	Default SIG	When the units are used in parallel with single phase, please select "PAL" in program 20. It is required to have at least three inverters or maximum twelve inverters to support three-phase equipment. It's required to have at least one inverter in each phase or it's up to ten inverters in one phase. Please select "3P1" in program 20 for the inverters connected to L1 phase, "3P2" in program 20 for the inverters connected to L2 phase and "3P3" in program 20 for the inverters connected to L3 phase. Before starting up inverters, please connect all N wires of AC output together. <b>NOTE: GPE0-4KL1 can only be set to "SIG". Parallel Settings are not supported.</b>
		Parallel PAL 20	PAL	
		L1 Phase PAL 20	3P1	
		L2 Phase PAL 20	3P2	
		L3 Phase PAL 20	3P3	
		220V OPU 21	220 <sup>v</sup>	

Note: The setting value of item "07" should be larger than the setting value of item "06".

21	Output voltage setting	220V OPU 21	Default 230 <sup>v</sup>	Output voltage configuration
		220V OPU 21	240 <sup>v</sup>	
22	Output frequency setting	50Hz OPF 22	Default 50 <sup>Hz</sup>	Output frequency configuration.
		60Hz OPF 22	60 <sup>Hz</sup>	
23	Utility input range setting	Appliance mode AC 23	Default APL	APL should be selected, when the utility is not well.
		UPS mode AC 23	UPS	
24	Output source priority	Utility >> PV >> Battery OPS 24	Default USB	Utility provides power to the loads first. PV and battery will provide power to loads only when utility is not available.
		PV >> Utility >> Battery OPS 24	SUB	PV provides power to the loads first. If PV is not sufficient, utility will supply power the loads at the same time. Battery will provide power to loads only when utility is not available.
		PV >> Battery >> Utility OPS 24	SBU	PV provides power to the loads first. If PV is not sufficient, battery will supply power to the loads at the same time. Utility provides power to the loads only when battery voltage drops to the setting point in program 6.
25	Charger priority	<b>If inverter is working in utility mode, charger priority can be set as below. However, when inverter is working in Battery mode, only PV can charge battery.</b>		
		PV First CHS 25	Default CSO	PV will charge battery first. Utility will charge battery only when PV is unavailable.
		PV and Utility CHS 25	SNU	PV and utility will charge battery together.
		PV Only CHS 25	OSO	Only PV can charge the battery.
26	Feeding power to grid	Disable FPG 26	Default DIS	If selected, inverter is not allowed to feed exceeding solar power to grid.
		Enable FPG 26	ENR	If selected, inverter is allowed to feed exceeding solar power to grid.



27	Overload bypass function	Enable		Default	If it is enabled, the inverter will switch to utility mode if overload happens in battery mode.
		Disable		DIS	
28	Overload restart function	Enable		Default	If it is enabled, the inverter will auto restart when overload occurs.
		Disable		DIS	
29	Over temperature restart function	Enable		Default	If it is enabled, the inverter will auto restart when over temperature occurs.
		Disable		DIS	
40	Backlight of LCD	Disable		Default	If selected, LCD backlight will be off after no button is pressed for 60s.
		Enable		ENR	
41	Auto return to the first page of display screen	Disable		Default	If selected, the display screen will stay at latest screen user finally switches.
		Enable		ENR	
42	Buzzer Alarm	Enable		Default	If selected, buzzer is not allowed to beep.
		Disable		DIS	
43	Energy stored data for PV and Load	Disable		Default	If selected, inverter will erase all historical data of PV and Load energy, and stop record historical data for PV and Load energy.

		Enable			If selected, inverter will record historical data for PV and Load energy. NOTE: Before selected, please double check if date and time is correct, if incorrect, please set date and time in program 50~55.
44	Reset Default	Disable		Default	If selected, default initial Settings page.
		Enable		ENR	
45	Fan Work Mode	Default		Default	In performance mode, the inverter will perform at its highest performance.
		Disable		BLC	
		Enable		SLC	
50	Time setting- Year	Year		23	Setting range is from 23 to 99.
51	Time setting- Month	Month		8	Setting range is from 1 to 12.
52	Time setting- Day	Day		20	Setting range is from 1 to 31.
53	Time setting- Hour	Hour		21	Setting range is from 0 to 23.
54	Time setting- Minute	Minute		43	Setting range is from 0 to 59.
55	Time setting- Second	Second		50	Setting range is from 0 to 59.
60	Low DC cut off voltage on second output	For 12KVA model		Default	Setting range is from 42.0V to 48.0V. Increment of each click is 0.1V. This low DC cut-off voltage will be fixed to setting value no matter what percentage of load is connected.

		For 12KVA model bcs 60	Default 0%	If any type of lithium battery is selected in program 14, this parameter value will be displayed in percentage and value setting is based on battery capacity percentage. Setting range is from 0% to 95%. Increment of each click is 1%.
61	Setting discharge time on the 2nd output	For 12KVA model tds 61	Default di 5	Timing function disabled, The second output is allowed.
		For 12KVA model tds 61	5	Setting range is disable and then from 0 min to 990 min. Increment of each click is 1 min.
		For 12KVA model tds 61	OFF	*If the battery discharge time achieves the setting time in program 61 or the program 60 function is triggered, the second output will be turned off and the 61 programs will display OFF.
62	Scheduled time for 2nd AC output on	For 12KVA model td0 62	Default 0	Setting range is from 00:00 to 23:00. Increment of each click is 1 hour. Within scheduled on/off time setting in program 62 and 63, 2nd AC output will be turn on/off based on the setting value in program 60 or 61.
63	Scheduled time for 2nd AC output off	For 12KVA model tdf 63	Default 0	
64	Smart port	For 12KVA model spt 64	Default LOd	The port "(L2/GEN)-N" of AC output conector can be defined for "2nd AC output" or "Generator input". If "LOd" is selected, the 2nd AC output is enabled, the "L1" and "L2" icon on the LCD will be showed. If "GEN" is selected, the Generator input is enabled, the Grid icon on the LCD will flash every 5 seconds without AC input.
		For 12KVA model spt 64	GEN	




## Energy stored data Page



The energy stored data will be switched by pressing "UP" or "DOWN" key. The selectable information is switched as below order:

PV generated energy today 88 kWh DAY 88 kWh	PV generated energy this month 88 kWh MON 88 kWh	PV generated energy this year 89 kWh YEA 89 kWh
PV generated energy current in total 348 kWh TOT 348 kWh	Load consumed energy today 78 kWh DAY 78 kWh	Load consumed energy this month 78 kWh MON 78 kWh
Load consumed energy this year 80 kWh YEA 80 kWh	Load consumed energy in total 272 kWh TOT 272 kWh	

## BMS information Page

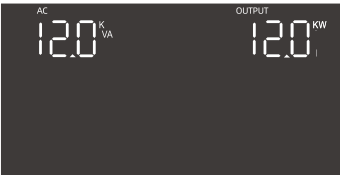
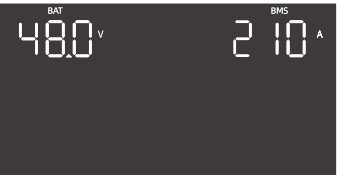
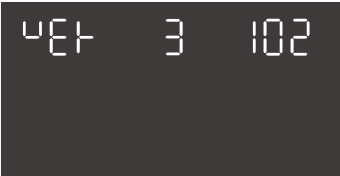
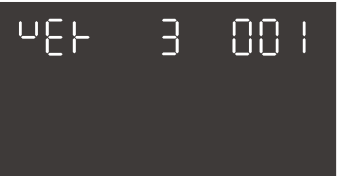
The BMS information will be switched by pressing "UP" or "DOWN" key. The selectable information is switched as below order: (Take the 48V model for example)

<b>Battery pack number / mean SOC</b> Connected battery pack number is 4, mean SOC is 97% 	
<b>BMS voltage / SOC</b> BMS voltage is 54.0V, SOC is 99% on battery pack of address 1 	<b>BMS voltage / current</b> BMS voltage is 54.0V, current is 1A on battery pack of address 1 

<p>BMS highest temperature / lowest temperature BMS highest temperature is 25°C, lowest temperature is 20°C on battery pack of address 1</p> 	<p>BMS fault code / flag BMS fault code is 0, flag is 000 on battery pack of address 1</p> 
--	--

## Rated information Page

The rated information will be switched by pressing "UP" or "DOWN" key. The selectable information is switched as below order: (Take the GPEO-12KL1 for example)

<p>Rated VA / WATT Rated VA is 12kVA, WATT is 12kW</p> 	<p>Rated battery voltage / Max. charge current Rated battery voltage is 48V, Max. charge current is 210A</p> 
<p>Firmware version (Master DSP) Firmware version is 3102</p> 	<p>Firmware version (Slave DSP) Firmware version is 3001</p> 

**Note:**

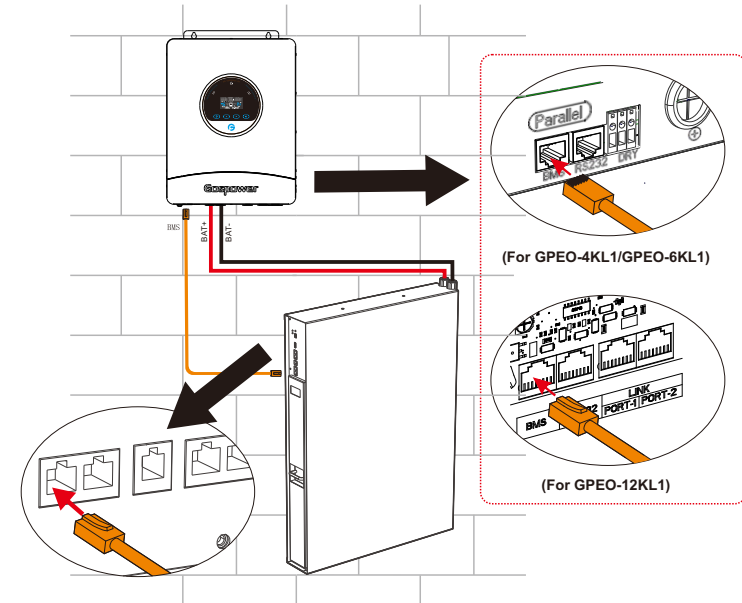
1)The "3" on pages 3 and 4 represents the model. "1" is GPEO-4KL1; "2" is GPEO-6KL1; "3" is GPEO-12KL1

2)Page 4 of the Rated information Page is exclusive to GPEO-12KL1

## Lithium Battery Communication

It's allowed to connect lithium battery and build communication only which it has been configured. Please follow below steps to configure communication between lithium battery and inverter.

1. Connect power cables between lithium battery and inverter. Please pay attention to the terminals of positive and negative. Make sure the positive terminal of battery is connected to the positive terminal of inverter, and the negative terminal of battery is connected to the negative terminal of inverter.
2. The communication cable is bundled with lithium battery. Both sides are RJ45 port. One port is connected to the BMS port of inverter and another one is connected to the COMM port of lithium battery.

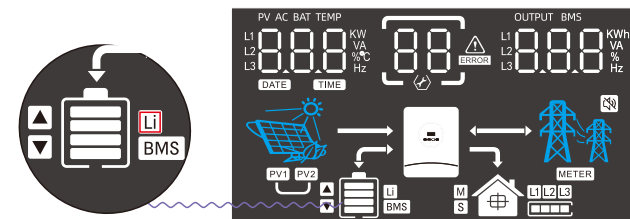


3. Configure battery type to "Lib" in LCD setting No. 01.

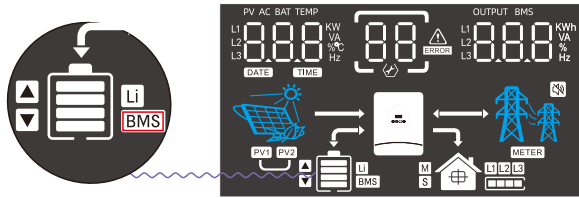
The battery type is Lib



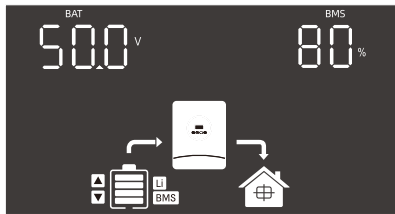
And then LCD will show you "Li" icon.



4. Power up lithium battery and inverter. Wait a moment, if the communication is built between them, LCD will show you "BMS" icon as below.



5. Roll LCD real time information pages by pressing "UP" or "DOWN" button, as below page, you can see the parameters of SOC in the communication system.



This page means SOC is 80%.

## PARALLEL INSTALLATION GUIDE(Not Valid for 4KVA Model)

### 1.Introduction

This inverter can be used in parallel with two different operation modes.

1. Parallel operation in single phase with up to 12 units. The supported maximum output power is 72kW/72kVA for GPEO-6KL1, 144kW/144kVA for GPEO-12KL1.
2. Maximum twelve units work together to support three-phase equipment. Ten units support one phase maximum. The supported maximum output power is 72kW/72kVA and one phase can be up to 60kW/60kVA for GPEO-6KL1, supported maximum output power is 144kW/144kVA and one phase can be up to 120kW/120kVA for GPEO-12KL1.

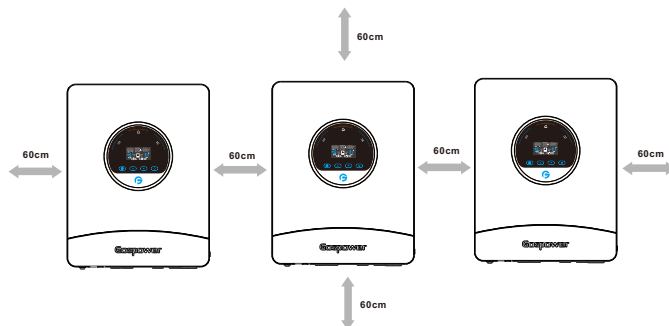
**NOTE 1:** If this unit is bundled with parallel cable, this inverter is default supported parallel operation. You may skip section 2.

**NOTE 2:** Under parallel operation modes, battery must be connected with inverters.

**NOTE 3:** Before starting up inverters, please connect all negative(-) wires of battery together for GPEO-6KL1.

**NOTE 4:** Before starting up inverters, all batteries of the inverters must parallel together for GPEO-12KL1.

### 2.Mounting the Unit



**NOTE:** For proper air circulation to dissipate heat, allow a clearance of approx. 60 cm to the side and approx. 60 cm above and below the unit. Be sure to install each unit in the same level.

## 3.Package Contents

In parallel kit, you will find the following items in the package:



Parallel communication cable x 1 pcs

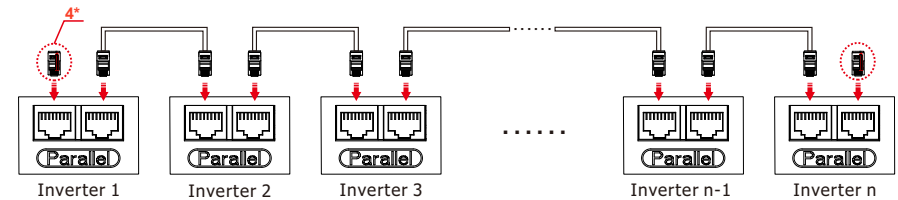
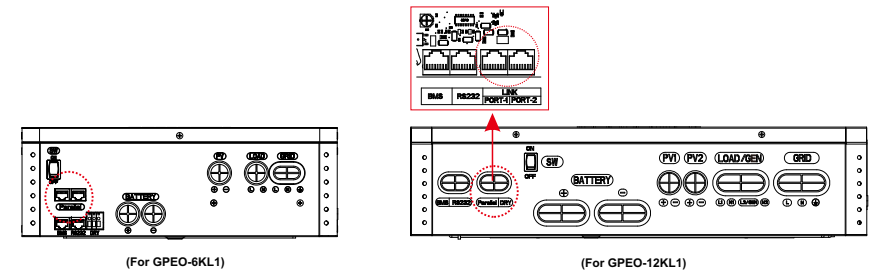


Parallel communication connector x 1 pcs

## 4.Wiring Connection

This installation steps are only applied to GPEO-6KL1/GPEO-12KL1 model.

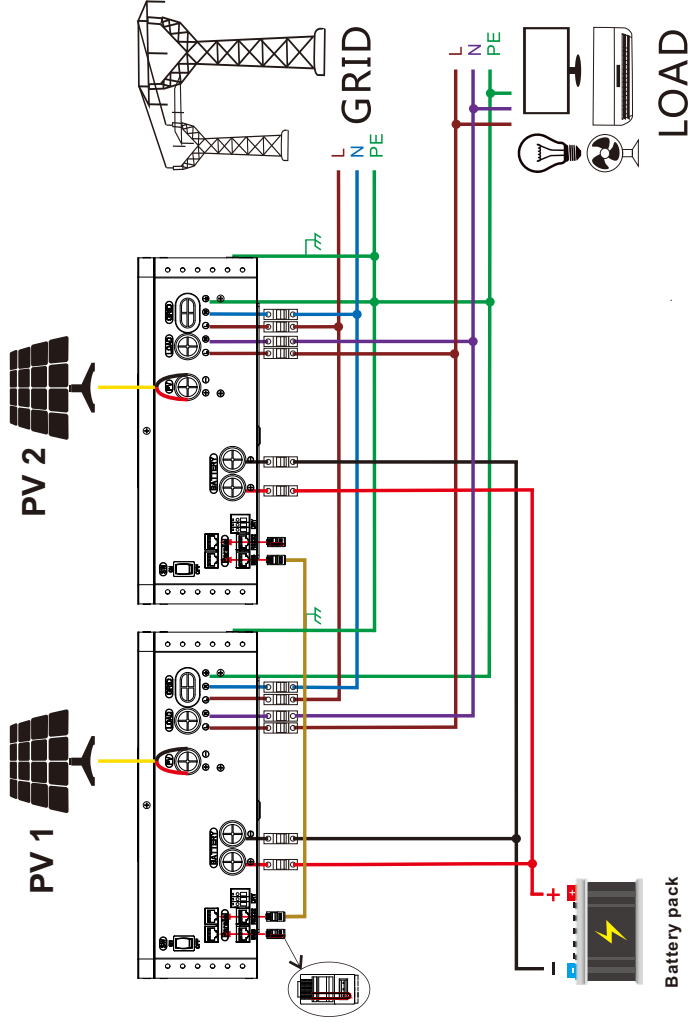
N Inverters Communication Connection



Connect parallel communication cable one by one.

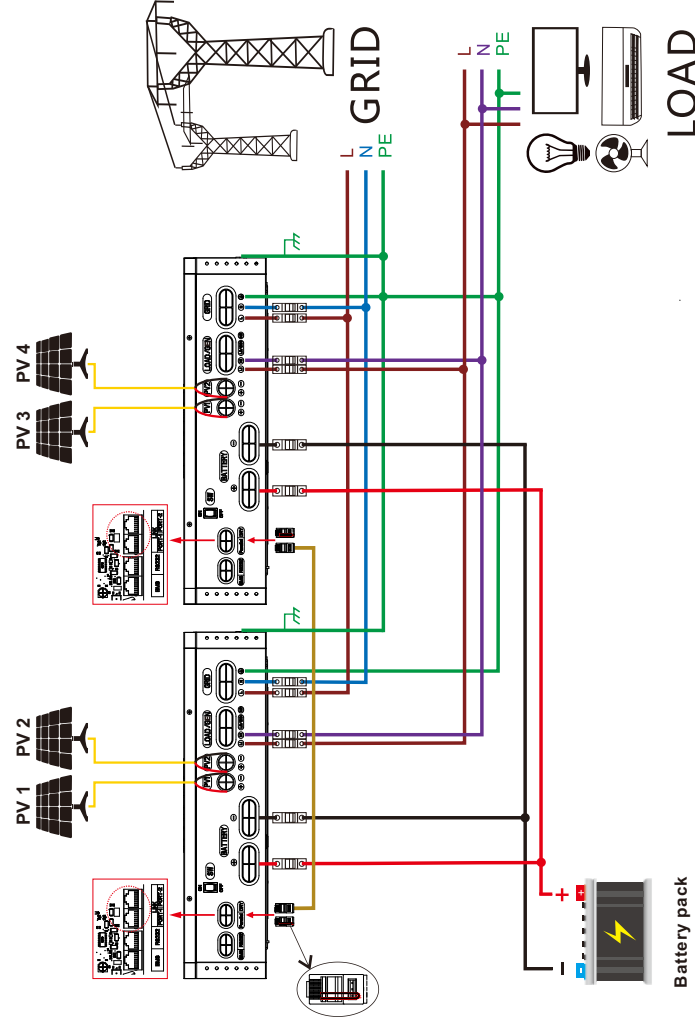
4\*: Connect parallel communication connector to the first one and the last one.

Single Phase Parallel connection diagram for two inverters in parallel for GPEO-6KL1.



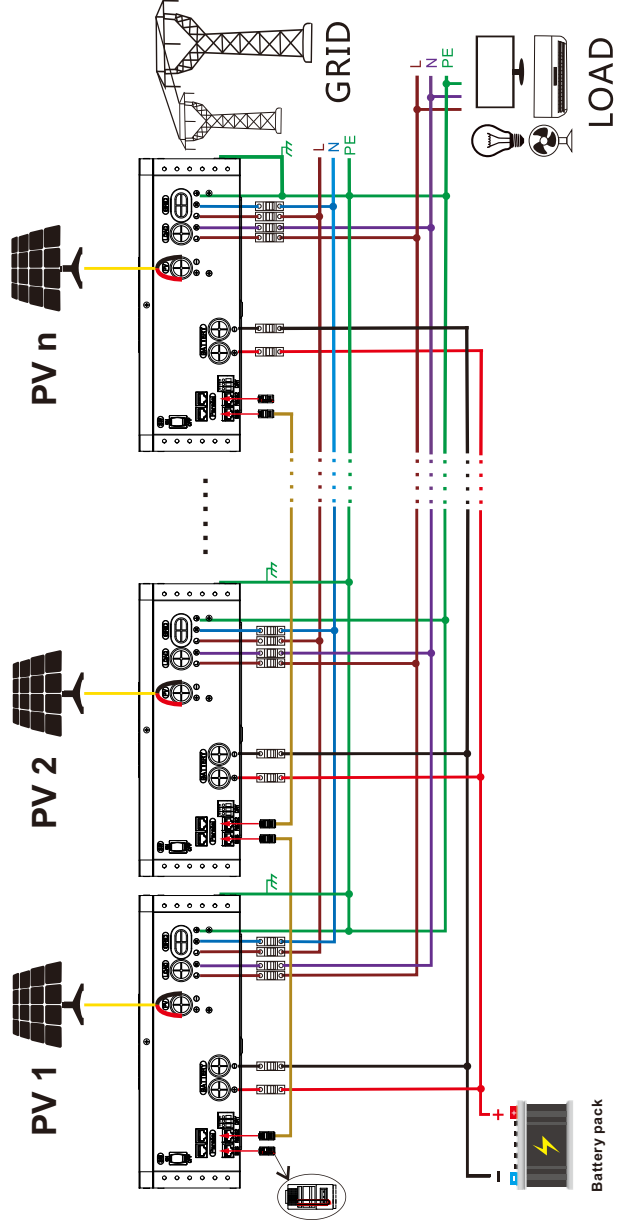
**NOTE:** Before starting up inverters, please connect all negative (-) wires of battery together.

Single Phase Parallel connection diagram for two inverters in parallel for GPEO-12KL1.



**NOTE:** Before starting up inverters, please connect all positive (+) and negative (-) wires of battery together.

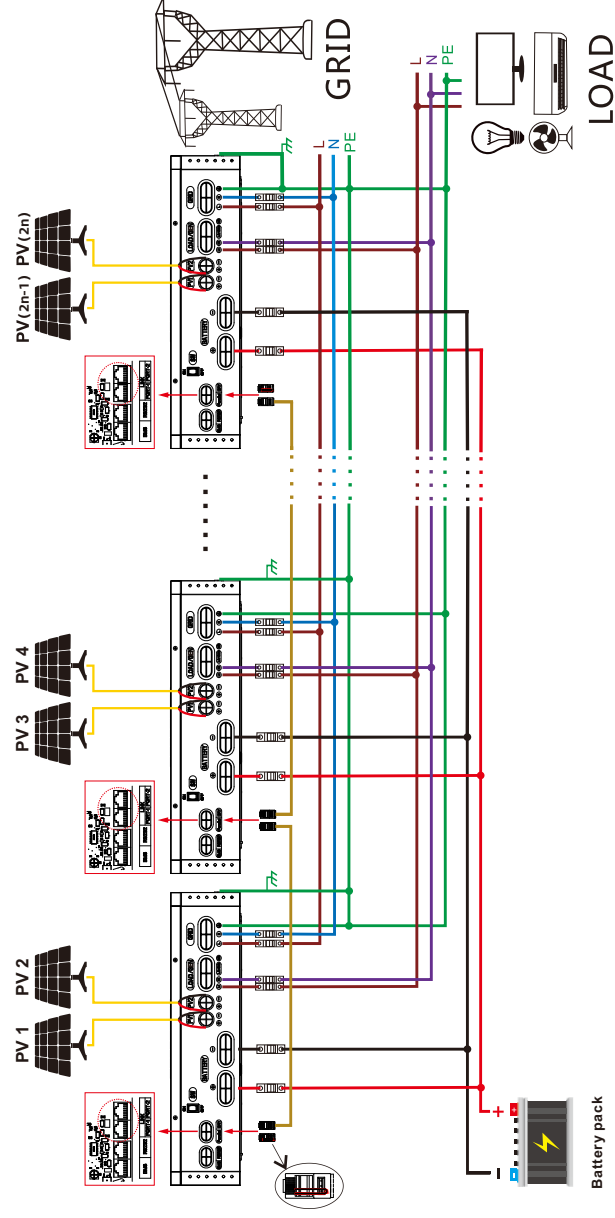
Single Phase Parallel connection diagram for three to twelve inverters in parallel for GPEO-6KL1.



**NOTE:**

1. "n" is the number of parallel connections of the inverters.
2. Before starting up inverters, please connect all negative(-) wires of battery together.

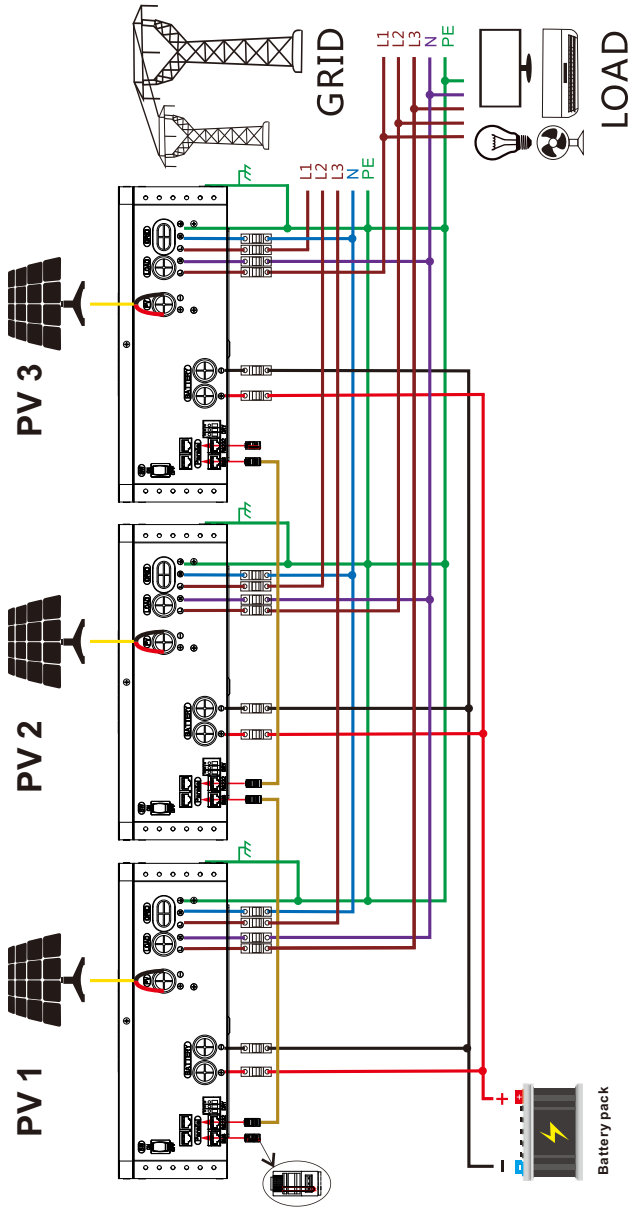
Single Phase Parallel connection diagram for three to six inverters in parallel for GPEO-12KL1.



**NOTE:**

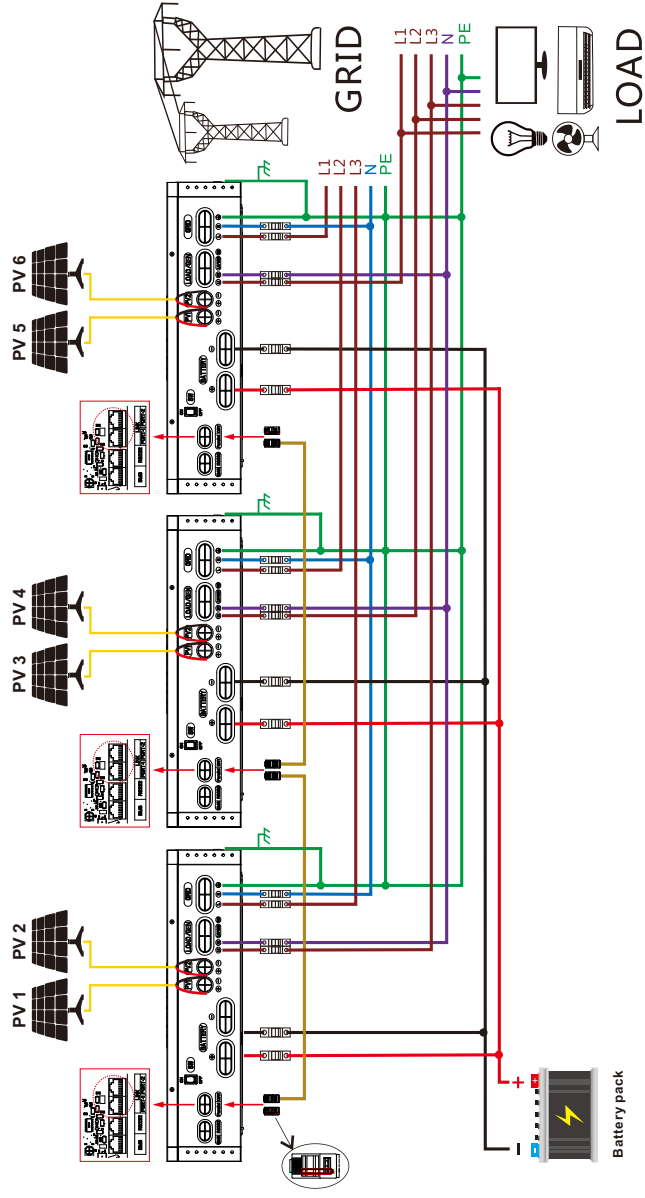
1. "n" is the number of parallel connections of the inverters.
2. Before starting up inverters, please connect all positive (+) and negative (-) wires of battery together.

Three Phase Parallel connection diagram for three inverters in parallel for GPEO-6KL1.



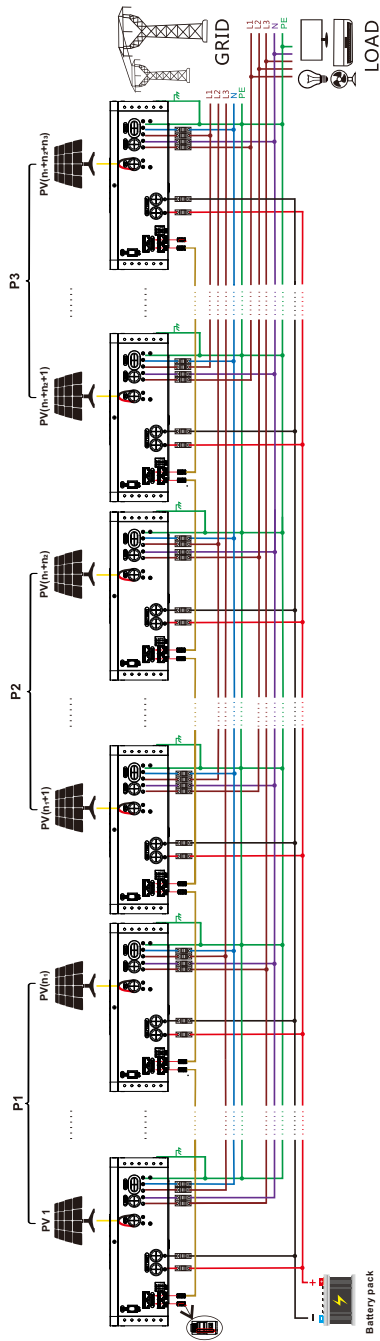
**NOTE:** Before starting up inverters, please connect all negative(-) wires of battery together.

Three Phase Parallel connection diagram for three inverters in parallel for GPEO-12KL1.



**NOTE:** Before starting up inverters, please connect all positive (+) and negative (-) wires of battery together.

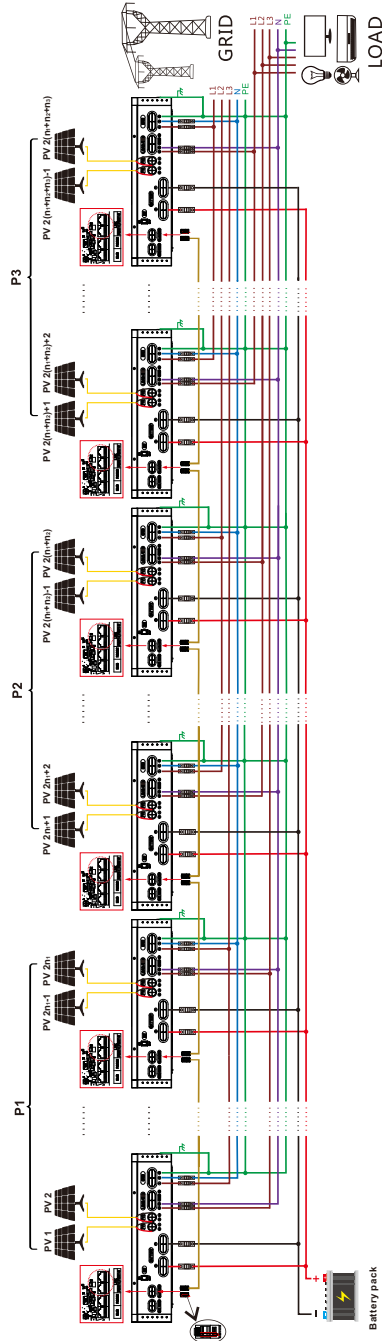
Three Phase Parallel connection diagram for four to twelve inverters in parallel for GPEO-6KL1.



**NOTE:**

1. "n1"/"n2"/"n3" is the number of parallel units for P1/P2/P3 phase.
2. Before starting up inverters, please connect all negative (-) wires of battery together.
3. Each phase is connected with at least one, a maximum of 6 parallel units for same phase; and a maximum of 12 parallel units for three phases.

Three Phase Parallel connection diagram for four to twelve inverters in parallel for GPEO-12KL1.





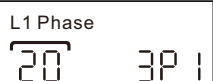
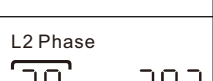
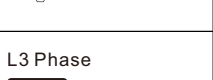
**NOTE:**

1. "n1"/"n2"/"n3" is the number of parallel units for P1/P2/P3 phase.
2. Before starting up inverters, please connect all positive (+) and negative (-) wires of battery together.
3. Each phase is connected with at least one, a maximum of 6 parallel units for same phase; and a maximum of 12 parallel units for three phases.



## 5. LCD Setting and Display

### Setting Program

20	AC output mode	Single 	<p>When the units are used in parallel with single phase, please select "PAL" in program 20. It is required to have at least three inverters or maximum twelve inverters to support three-phase equipment.</p> <p>It's required to have at least one inverter in each phase or it's up to ten inverters in one phase.</p> <p>Please select "3P1" in program 20 for the inverters connected to L1 phase, "3P2" in program 20 for the inverters connected to L2 phase and "3P3" in program 20 for the inverters connected to L3 phase.</p> <p>Before starting up inverters, please connect all N wires of AC output together.</p> <p><b>NOTE: GPEO-4KL1 can only be set to "SIG". Parallel Settings are not supported.</b></p>
		Parallel 	
		L1 Phase 	
		L2 Phase 	
		L3 Phase 	

## 6. Commissioning

### Parallel in single phase

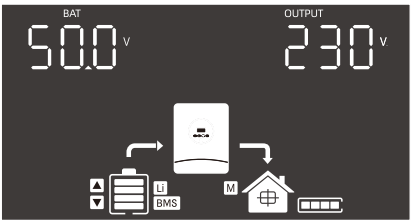
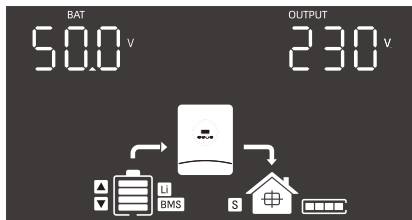
Step 1: Check the following requirements before commissioning:

- Correct wire connection.
- Ensure all breakers in Line wires of load side are open and each Neutral wires of each unit are connected together.

Step 2: Turn on each unit and set "PAL" in LCD setting program 20 of each unit. And then shut down all units.

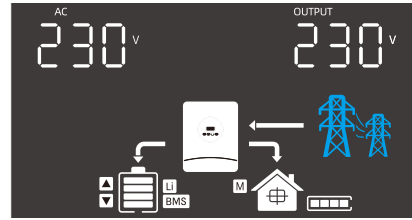
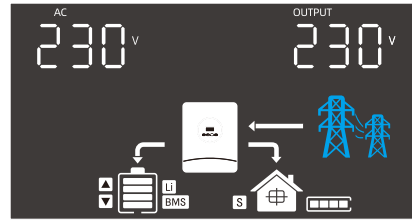
**NOTE:** To be safe, it's better to turn off switch when setting LCD program.

Step 3: Turn on each unit.

LCD display in Master unit	LCD display in Slave unit
	

**NOTE:** Master and slave units are randomly defined.

Step 4: Switch on all AC breakers of Line wires in AC input. It's better to have all inverters connect to utility at the same time. However, these inverters will automatically restart. If detecting AC connection, they will work normally.

LCD display in Master unit	LCD display in Slave unit
	

Step 5: If there is no more fault alarm, the parallel system is completely installed.

Step 6: Please switch on all breakers of Line wires in load side. This system will start to provide power to the load.

### Support three-phase equipment

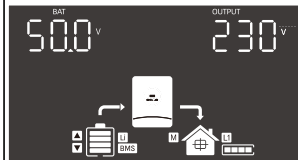
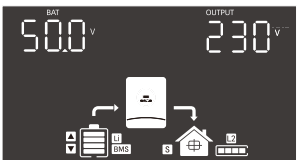
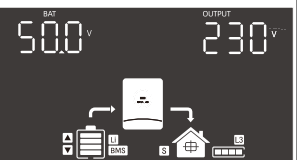
Step 1: Check the following requirements before commissioning:


- Correct wire connection
- Ensure all breakers in Line wires of load side are open and each Neutral wires of each unit are connected together.

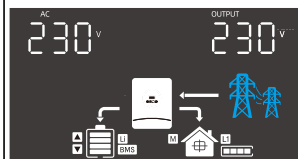
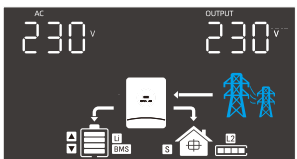
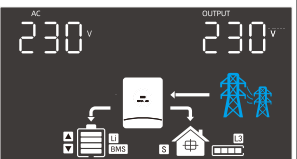
Step 2: Turn on all units and configure LCD program 20 as P1, P2 and P3 sequentially. And then shut down all units.

**NOTE:** To be safe, it's better to turn off switch when setting LCD program.

Step 3: Turn on all units sequentially.

LCD display in L1-phase unit	LCD display in L2-phase unit	LCD display in L3-phase unit
		

Step 4: Switch on all AC breakers of Line wires in AC input. If AC connection is detected and three phases are matched with unit setting, they will work normally. Otherwise, the AC icon  will flash and they will not work in line mode.

LCD display in L1-phase unit	LCD display in L2-phase unit	LCD display in L3-phase unit
		


Step 5: If there is no more fault alarm, the system to support 3-phase equipment is completely installed.

Step 6: Please switch on all breakers of Line wires in load side. This system will start to provide power to the load.

Note 1: To avoid overload occurring, before turning on breakers in load side, it's better to have whole system in operation first.


Note 2: Transfer time for this operation exists. Power interruption may happen to critical devices, which cannot bear transfer time.

## Warning Code Table

When fault event happens, the fault LED is flashing. At the same time, warning code, icon  is shown on the LCD screen.

Warning Code	Warning Information	Audible Alarm	Trouble Shooting
01	Overload	Beep twice every second	Reduce the loads.
02	Fan is locked(up)	Beep three times every second	Check if the Fans wiring connected well. Replace the fan.
03	Fan is locked(down)	Beep three time every second	Check if the Fans wiring connected well. Replace the fan.
04	Grid over voltage warning	No buzzer alarm	Check whether the grid voltage exceeds the allowable range of the inverter.
05	Output not connected together in parallel mode	No buzzer alarm	Check whether the output load of the inverter is normal, and check whether the inverters are connected together in the same phase.
06	Remote shutdown warning	No buzzer alarm	Check if remote shutdown is enabled via WIFI.Disable the enable or restart the inverter.

## Fault Code Table

When fault event happens, inverter will cut off output, and the fault LED is solid on. At the same time, fault code, icon  and **ERROR** are shown on the LCD screen.

Fault Code	Fault information	Trouble Shooting
01	Bus voltage is too high	AC Surge or internal components failed. Restart the unit, if the error happens again, please return to repair center.
02	Bus voltage is too low	Restart the unit, if the error happens again, please return to repair center.
03	Bus soft start fail	Internal components failed. Restart the unit, if the error happens again, please return to repair center.
10	Inverter soft start fail	Internal components failed. Restart the unit, if the error happens again, please return to repair center.
11	Over current or surge detected by Software	Restart the unit, if the error happens again, please return to repair center.
12	Over current or surge detected by hardware	Restart the unit, if the error happens again, please return to repair center.
13	Output voltage is too low	Reduce the connected load. Restart the unit, if the error happens again, please return to repair center.

14	Output voltage is too high	Restart the unit, if the error happens again, please return to repair center.
15	Output short circuited	Check if wiring is connected well and remove abnormal load.
16	Inverter current sensor failed	Restart the unit, if the error happens again, please return to repair center.
17	Current feedback into the inverter is detected.	1. Restart the inverter. 2. Check if L/N cables are not connected reversely in all inverters. 3. For parallel system in single phase, make sure the sharing cables are connected in all inverters. For supporting three-phase system, make sure the sharing cables are connected in the inverters in the same phase, and disconnected in the inverters in different phases. 4. If the problem remains, please contact your installer.
20	Overload time out	Reduce the connected load by switching off some equipment.
21	OP current sensor failed	Restart the unit, if the error happens again, please return to repair center.
22	Sharing current sensor failed	Restart the unit, if the error happens again, please return to repair center.
23	The AC input and output wires are inversely connected	1. Please check AC input and output wires are connected correctly. 2. If this error happens during parallel installation, please check wires connection. If they are connected correctly, please finish parallel installation first, and then restart inverters. 3. If the problem remains, please contact your installer.
24	The output relay exception	Restart the unit, if the error happens again, please return to repair center.
30	Battery voltage is too high	Check if spec and quantity of batteries are meet requirements.
31	Over current happen at DC/DC circuit	Restart the unit, if the error happens again, please return to repair center.
32	DC/DC current sensor failed	Restart the unit, if the error happens again, please return to repair center.
33	No.2 DCDC current sensor failed	Restart the unit, if the error happens again, please return to repair center.
34	DC/DC soft start fail.	Restart the unit, if the error happens again, please return to repair center.
35	Over current happen at DC/DC circuit detected by hardware	Restart the unit, if the error happens again, please return to repair center.
36	Over current happen at LLC circuit	Restart the unit, if the error happens again, please return to repair center.
37	LLC hardware fault	Restart the unit, if the error happens again, please return to repair center.
40	PV voltage is too high	Reduce the number of PV modules in series.
41	Short circuited happen at PV port	Check if wiring is connected well.

42	PV power anomaly	Restart the unit, if the error happens again, please return to repair center.
43	Over current happen at PV port	Restart the unit, if the error happens again, please return to repair center.
44	PV current sensor failed	Restart the unit, if the error happens again, please return to repair center.
45	PV1 high input power	Reduce the connected load. Restart the unit, if the error happens again, please return to repair center.
46	PV2 high input power	Reduce the connected load. Restart the unit, if the error happens again, please return to repair center.
50	Fan is locked	Check if wiring is connected well. Replace the fan.
51	Over temperature happen at PV circuit	The temperature of internal PV component is over the limitation. Check whether the air flow of the unit is blocked or whether the ambient temperature is too high.
52	Over temperature happen at INV circuit	The temperature of internal INV component is over the limitation. Check whether the air flow of the unit is blocked or whether the ambient temperature is too high.
53	Over temperature happen at Convert L circuit	The temperature of Convert L battery converter component is over the limitation. Check whether the air flow of the unit is blocked or whether the ambient temperature is too high.
54	Over temperature happen at Convert H circuit	The temperature of internal Convert H component is over the limitation. Check whether the air flow of the unit is blocked or whether the ambient temperature is too high.
55	Over temperature happen at LLC TX	The temperature of internal DC/DC TX is over the limitation. Check whether the air flow of the unit is blocked or whether the ambient temperature is too high.
60	CAN data loss	1. Check if communication cables are connected well and restart the inverter. 2. If the problem remains, please contact your installer.
61	Host data loss	
62	Synchronization data loss	
63	The firmware version of each inverter is not the same.	1. Update all inverter firmware to the same version. 2. Check the version of each inverter via LCD setting and make sure the CPU versions are same. If not, please contact your installer to provide the firmware to update. 3. After updating, if the problem still remains, please contact your installer.

64	The output current of each inverter is different.	1. Check if sharing cables are connected well and restart the inverter. 2. If the problem remains, please contact your installer.
65	AC output mode setting is different.	1. Switch off the inverter and check LCD setting program 20. 2. For parallel system in single phase, make sure no 3P1, 3P2 or 3P3 is set on program 20. For supporting three-phase system, make sure no "PAL" is set on program 20. 3. If the problem remains, please contact your installer.
66	Single unit is installed to parallel system	1. Please check if single unit is installed to parallel system. 2. If this error happens during parallel installation, please check wires connectio. If they are connected correctly, please finish parallel installation first, and then restart inverters. 3. If the problem remains, please contact your installer.
92	DSP failed to communicate with MCU	Restart the unit, if the error happens again, please return to repair center.